

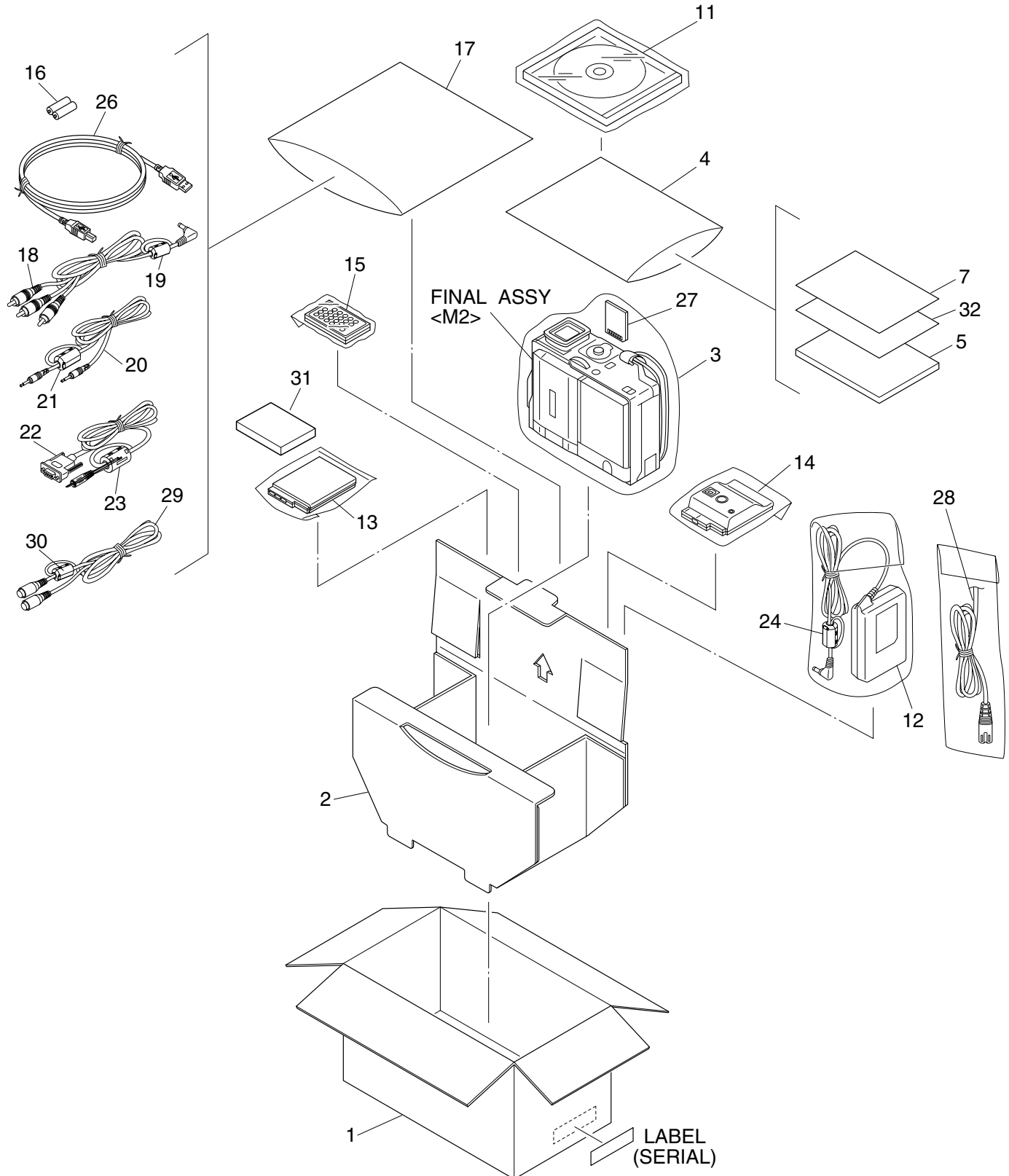
SECTION 5 PARTS LIST

SAFETY PRECAUTION

Parts identified by the  symbol are critical for safety. Replace only with specified part numbers.

5.1 PACKING AND ACCESSORY ASSEMBLY <M1>

The instruction manual to be provided with this product will differ according to the destination.



△ REF No. PART No. PART NAME, DESCRIPTION

PACKING AND ACCESSORY ASSEMBLY <M1>

1	-	PACKING CASE
2	LY20588-001A	CUSHION
3	LY30023-003A	POLY BAG
4	QPA02003006	POLY BAG
△ 5	LYT0836-001A	INST.BOOK(SP)
7	LYT0378-003A	SHEET(AGREEMENT)
11	LY32210-002B	CD ROM,DVM55UM
	LY32210-004B	CD ROM,DVM75UM
△ 12	LY20688-011A	AC ADAPTER,AP-V10EN
△ 13	LY31174-006A	BATTERY PACK,BN-V507U
14	LY32142-001B	JACK BOX,CU-V506,DVM75UM
	LY32142-002B	JACK BOX,CU-V505,DVM55UM
15	LY20750-001A	REMOTE CONTROL UNIT,RM-V717U
16	-	BATTERY,AAA(R03),X2
17	QPA01703005	POLY BAG
18	QAM0346-001	CABLE ASSY,AUDIO/VIDEO CABLE
19	QQR0918-002	CORE FILTER,DVM55UM
20	QAM0214-001	RM (EDITING)CABLE,DVM55UM
	PEAC0428-150	CABLE ASSY,EDITING CABLE,DVM75UM
21	QQR0491-002	CORE FILTER,DVM55UM
22	QAM0084-001	PC CONNECTION CABLE,DVM55UM
23	QQR0491-002	CORE FILTER,DVM55UM
24	QQR0491-002	CORE FILTER,DVM55UM
26	QAM0322-001	USB CABLE,DVM75UM
27	QAM0262-002	MEMORY CARD,DVM75UM
△ 28	QMPS150-190-JR	POWER CORD
29	QAM0004-003	S VIDEO CABLE
30	QQR0491-002	CORE FILTER,DVM55UM
31	-	MINI DV TAPE,M-DV30MEBU
△ 32	LYT0836-002A	INST BOOK(SOFT,SP),DVM55UM
△	LYT0836-003A	INST BOOK(SOFT,SP),DVM75UM

• INSTRUCTION
 SP SPANISH